

Repeaters/network tuners

Model number
AC461091A
AC465026A (DIN)



AS-Interface repeater

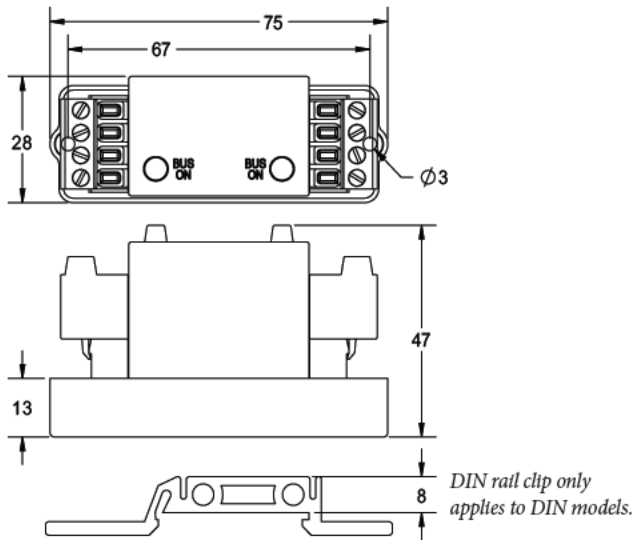
The AS-Interface repeater extends the AS-Interface network by 100 meters. The repeater requires no configuration and has no address on the bus. The repeater requires an AS-Interface power supply.



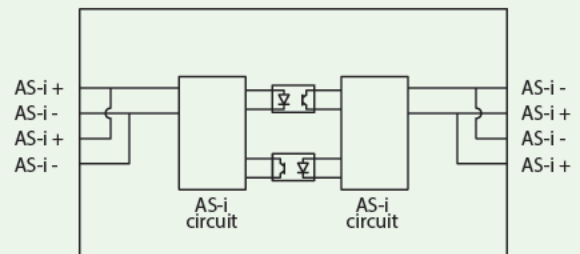
Specifications	
Operating voltage	AS-Interface voltage
Operating current	60mA (per segment) 120mA total
AS-Interface cycle time	0.15ms X (AS-I Slaves +1)
Indication	Green LED indicates bus power on each segment
Dimensions (L, W, H)	75mm, 28mm, 47mm
Operating temperature	-40° to + 80°C (-40° to 176°F)



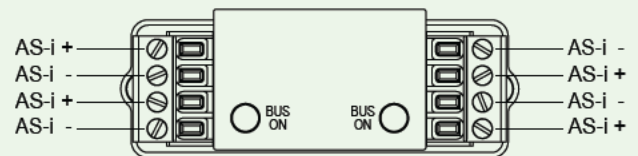
Dimensions (mm)



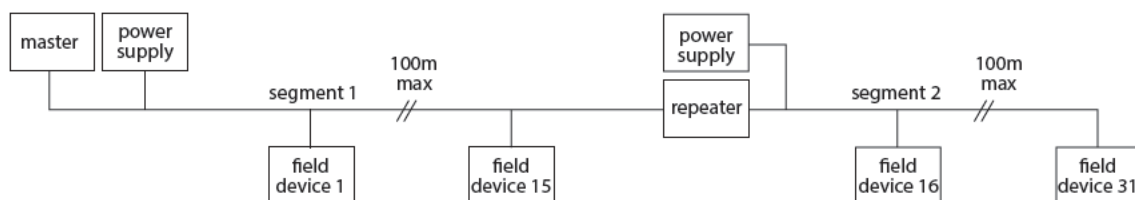
Schematic drawing



Wiring diagram



Network





Valmet's professionals around the world work close to our customers and are committed to moving our customers' performance forward – every day.

Valmet Flow Control Oy

Vanha Porvoontie 229
01380 Vantaa, Finland
flowcontrol@valmet.com
+358 10 417 5000
valmet.com/flowcontrol

**Valmet Flow Control Inc.
Stonel product center**

26271 US Hwy 59, Fergus Falls, MN 56537 USA.
Tel. +1 218 739 5774.
sales.stonel@valmet.com
valmet.com/flowcontrol

